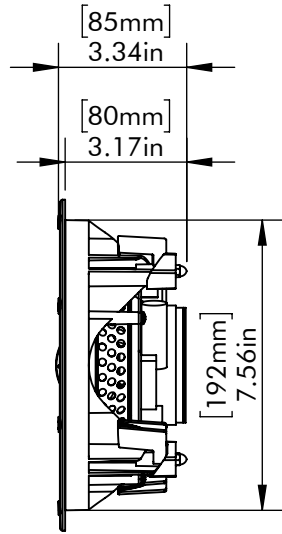
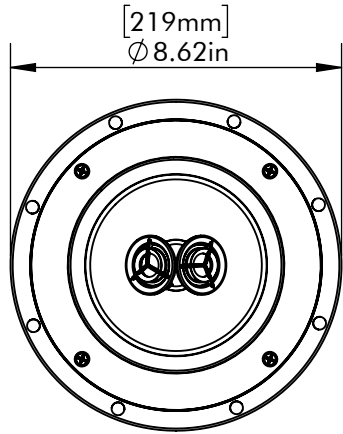
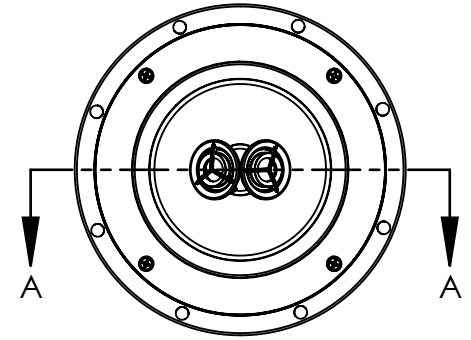
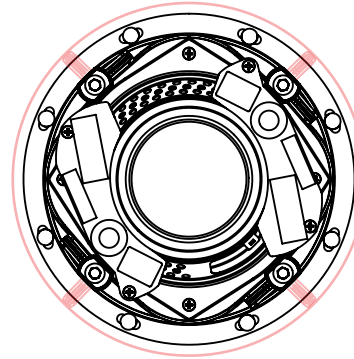


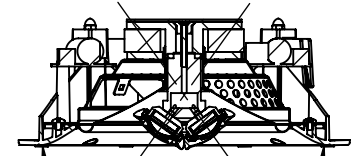
GRILL OFF



MOUNTING LOCKS
EXTEND 0.375in [9.5mm]
BEYOND ALL EDGES



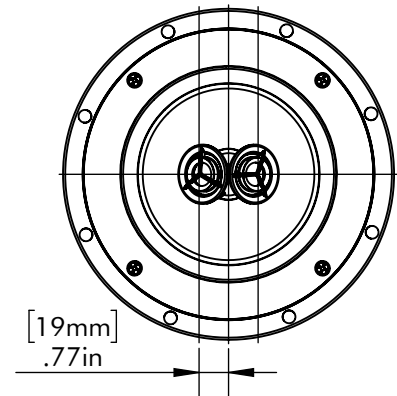
SECTION A-A



55°
TWEETER ANGLE
55°

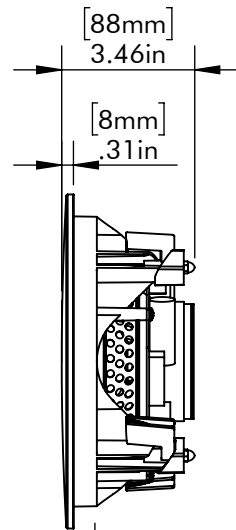
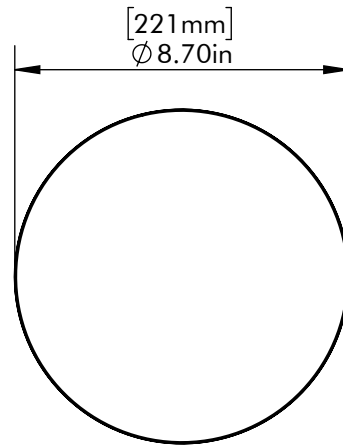
TWEETER AIMING: ROTATE SPEAKER ASSEMBLY
TO AIM TWEETER AT LISTENING POSITION

TWEETER OFFSET



BOX VOLUME
 MINIMUM: 10L (0.35ft³)
 OPTIMAL: 20L+ (0.71ft³+)
 (BASS OUTPUT DECREASES
 AS BOX VOLUME DECREASES)

GRILL ON



MAX CEILING
 THICKNESS
 1in [25mm]

CUTOUT DIAMETER
 (WITH TOLERANCE)
 7.72in [196mm]

IC6-ST
DIMENSION
DRAWING